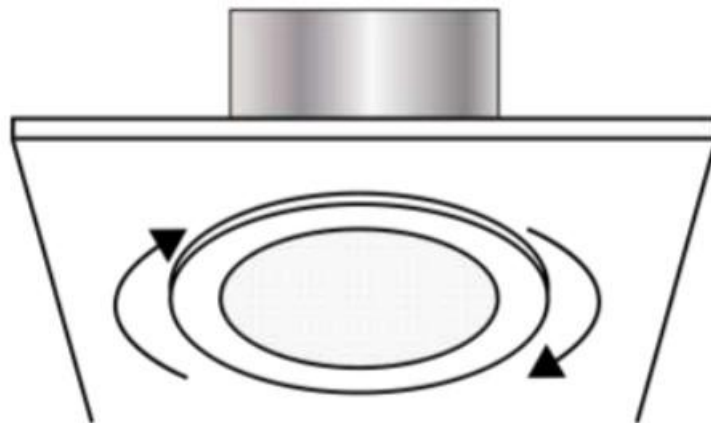


Installation instructions

Internal (ceiling) components 25 cm and 35 cm Ø systems round Classic Vusion diffuser



Version: 2023-01

Contents

Foreword	3
Safety.....	Error! Bookmark not defined.
Guarantee.....	Error! Bookmark not defined.
Disclaimer.....	Error! Bookmark not defined.
Step 1 – Attach the brush seal	4
Step 2 – Install bottom tube assembly	4
Step 3 – Fit the Natural effect lens	5
Step 4 – Align the ceiling diffuser	6
Step 5 – Twist on the diffuser	6
The installation is complete.....	Error! Bookmark not defined.

Foreword

Safety Information

- Always observe the safety instructions for the materials and tools to be used.
- Always wear the appropriate personal protective equipment (gloves, safety goggles etc.).
- We would suggest that any roof works is completed by an experienced roofer.
- Always have any electrical works carried out by a certified electrician.
- Please note that the installation works is carried out at your own risk.

Guarantee

- Non-electrical components are covered by a 10 year manufacturer's warranty against any manufacturing defects.
- Please retain the original proof of purchase to validate the product warranty.
- Any costs associated to the installation of any replacement parts covered under the warranty remain at the expense of the purchaser.
- Our terms and conditions are available upon request.

Disclaimer

Techcomlight Limited expressly disclaims any liability for any unexpected additional expense arising as a result of condensation or any water damage resulting from condensation, installation not in accordance with Techcomlight Limited's installation guide/s or any other external influences beyond the control of Techcomlight Limited. Techcomlight Limited cannot be held liable for damage to structures caused as a result of making openings and installing the product supplied. Techcomlight assumes no responsibility or obligation for the failure of an architect, contractor, installer or building owner to comply with all applicable laws, ordinances, building codes, energy codes, fire and safety codes and requirements, and adequate safety measures.

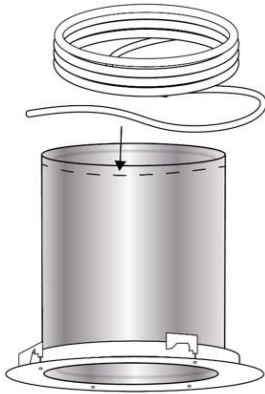
Installation instructions reserved. No rights can be derived from this publication.

Step 1 – Attach the brush seal

ECO version - Fit the insulating lens down onto the top of the bottom tube assembly and tape the outer edge of the lens to the outside of the tube with aluminium tape.

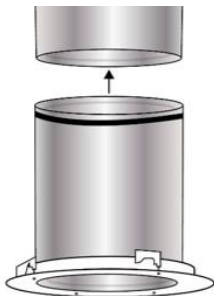
Stick the brush seal strip around the outside of the top of the bottom tube assembly as shown below. Using the entire sealing strip, wrap the strip around the tube keeping the rings tightly together as shown.

Note: If additional extension tubes are being used, this operation must be performed around the top of the uppermost extension tube.



Step 2 – Install bottom tube assembly

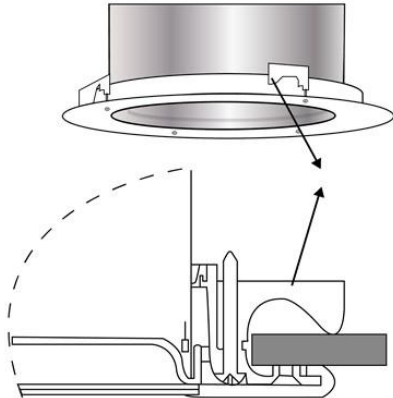
Carefully push the bottom tube assembly up through the opening created in the ceiling and up into the inside of the top tube assembly until the ceiling ring is flush with the ceiling.



Tip: Make sure that the mounting clips on the ceiling ring are in a 'closed' position so that they fit through the ceiling opening.

Tighten the four fixing screws within the ceiling ring which will engage the mounting clips, tightening them down onto the ceiling to clamp the bottom tube assembly in place.

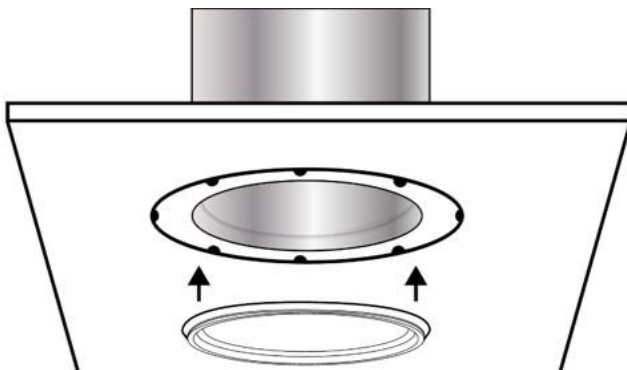
If the clamps cannot be used (for example with a concrete finish or a double boarded ceiling), or in the event that the ceiling ring does not fit tightly enough, it can be secured with screws through the pre-defined fixing points moulded into the ceiling ring. The pre-defined fixing points in the dome ring must be pre-drilled for the screws prior to being fixed in this way.



Now remove the transparent protective film from the inside of the bottom tube assembly.

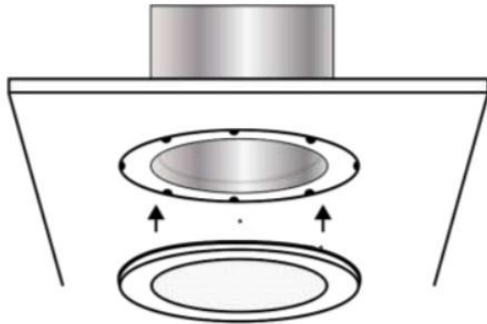
Step 3 – Fit the Natural effect lens

Press the Natural Effect Lens with the clear plastic tab facing downwards securely into the recess between the reflective tube and the plastic ceiling ring. The Natural effect lens can be removed if required by carefully pulling down on the clear plastic tab.



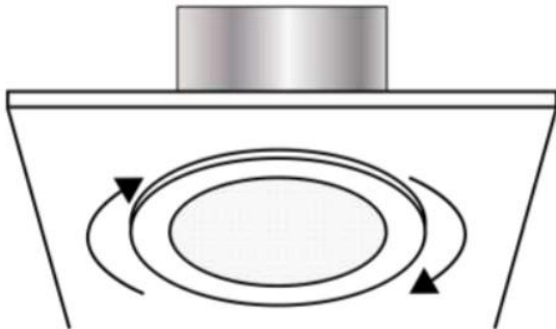
Step 4 – Align the ceiling diffuser

Hold the ceiling diffuser up over the ceiling ring and align the tabs on the back of the diffuser with the recesses in the ceiling ring.



Step 5 – Twist on the diffuser

Gently twist the ceiling diffuser in a clockwise direction until it is fully engaged into place.



The installation is now complete.