



Installation instructions

External (roof) components 25 cm and 35 cm Ø systems flat roof flashing

Version: 2023-01

Contents

Foreword	3
Safety.....	3
Guarantee.....	3
Disclaimer.....	3
Step 1 – Create openings.....	4
Step 2 – Fit the flashing insulator	4
Step 3 – Mount the roof flashing.....	4
Step 4 – Install top tube assembly.....	5
Step 5 – Install LightTracker flex	5
Step 6 – Fit the roof dome.....	6
Continuation of the installation instructions:	6

Foreword

Safety Information

- Always observe the safety instructions for the materials and tools to be used.
- Always wear the appropriate personal protective equipment (gloves, safety goggles etc.).
- We would suggest that any roof works is completed by an experienced roofer.
- Always have any electrical works carried out by a certified electrician.
- Please note that the installation works is carried out at your own risk.

Guarantee

- Non-electrical components are covered by a 10 year manufacturer's warranty against any manufacturing defects.
- Please retain the original proof of purchase to validate the product warranty.
- Any costs associated to the installation of any replacement parts covered under the warranty remain at the expense of the purchaser.
- Our terms and conditions are available upon request.

Disclaimer

Techcomlight Limited expressly disclaims any liability for any unexpected additional expense arising as a result of condensation or any water damage resulting from condensation, installation not in accordance with Techcomlight Limited's installation guide/s or any other external influences beyond the control of Techcomlight Limited. Techcomlight Limited cannot be held liable for damage to structures caused as a result of making openings and installing the product supplied. Techcomlight assumes no responsibility or obligation for the failure of an architect, contractor, installer or building owner to comply with all applicable laws, ordinances, building codes, energy codes, fire and safety codes and requirements, and adequate safety measures.

Installation instructions reserved. No rights can be derived from this publication.

Step 1 – Create openings

Determine where you want to install the Powerdaylight system from the inside and mark the position through the roof and ceiling.

Note: Consider the roof construction and any electrical wires or pipes which may be hidden within the roof void!

Create a neat, round opening of the appropriate diameter below through the roof.

Powerdaylight 25 cm: between \varnothing 270 - \varnothing 280 mm

Powerdaylight 35 cm: between \varnothing 370 - \varnothing 380 mm

Create a neat, round opening of the appropriate diameter below through the ceiling.

For a round ceiling diffuser, the opening in the ceiling must be made the same diameter as mentioned above for the roof.

For a square ceiling diffuser, a neat, square opening of the appropriate dimensions below must be made in the ceiling:

Powerdaylight 25 cm Justfrost: 267 x 267 mm

Powerdaylight 25 cm Recessed: 245 x 245 mm

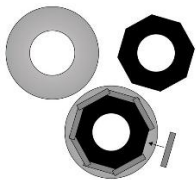
Powerdaylight 35 cm Justfrost: 367 x 367 mm

Powerdaylight 35 cm Recessed: 345 x 345 mm

Step 2 – Fit the flashing insulator

Degrease the underside of the roof flashing. Centre the flashing insulator over the underside of the roof flashing and tape it into position with the aluminium tape provided as shown below.

Note: The flashing insulator is an important part to prevent thermal bridging!



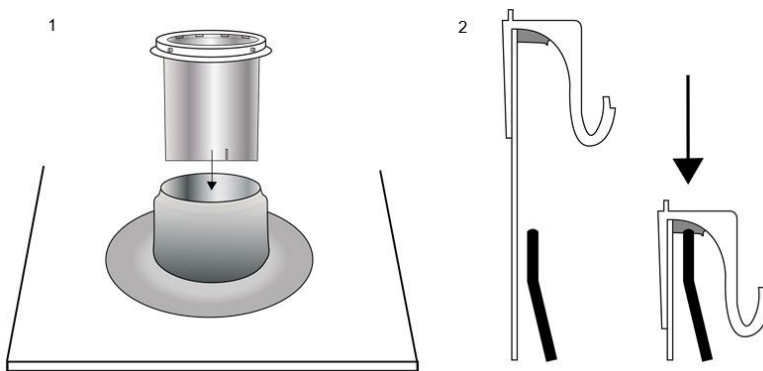
Step 3 – Mount the roof flashing

Centre the roof flashing over the opening created and secure the flashing down with suitable screws (not supplied). Apply the appropriate roofing material over the flange of the flashing, ensuring a watertight seal.

Step 4 – Install top tube assembly

Carefully insert the top tube assembly down through the roof flashing until the transparent dome ring is correctly seated down onto the top lip of the flashing as shown below.

Note: With the ECO version, the tube must be completely insulated externally. We advise to do this in advance with an insulating material such as Alkreflex. This insulation material is not included with the system as standard.

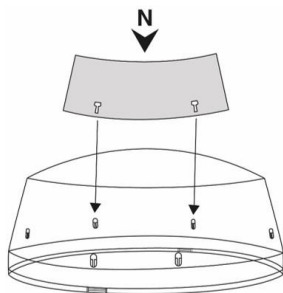


Fix the dome ring onto the top of the flashing with the dome screws, screwed through the four grey spacers from the outside in. The screws will pierce through the flashing and the inside of the reflective tubing. Be careful not to overtighten the screws as this may cause damage to the dome ring.

Now remove the transparent protective film from the inside of the top tube assembly.

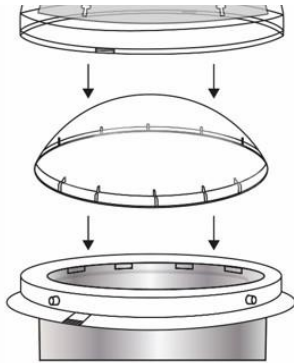
Step 5 – Install LightTracker flex

Place the dome upside down on a soft clean surface. Fit the LightTracker flex (this is the mirrored insert) with the reflective side facing inwards. Align the holes in the LightTracker over the corresponding tabs inside the dome and slide the LightTracker flex downwards to secure it in place.



Step 6 – Fit the roof dome

ECO version: Before fitting the outer dome, snap the ECO inner dome onto the dome ring using the 4 snap closures.



Snap the dome onto the dome ring using the 4 snap closures. Ensure that all four connecting points are properly engaged.

Important: Fit the dome with the LightTracker flex on the north side (facing south).

Tip: If you want to remove the dome again, insert the tip of a wide flat screwdriver into the opening of the snap fasteners and pry it off one by one from below.

Continuation of the installation instructions:

For the continuation of the installation instructions (internal / ceiling components) we refer you to the separate installation instructions for the chosen ceiling diffuser.