



Installation instructions

Internal (ceiling) components 25cm and 35cm Ø systems with square recessed ceiling diffuser

Version: 2023-01

Contents

Foreword	3
Safety.....	Error! Bookmark not defined.
Guarantee.....	Error! Bookmark not defined.
Disclaimer.....	Error! Bookmark not defined.
Step 1 Install the transition box	4
Option A – Installation into a new ceiling / batten work:	4
Option B – Installation into an existing ceiling:.....	4
Option C – Installation of the transition box onto the ceiling by means of a larger opening:.....	4
Step 2 – Mount the bottom tube.....	5
Step 3 – Fit the Natural effect lens	6
Step 4 – Finish around the transition box	6
Step 5 – Remove protective film	7
Step 6 - Fit the ceiling diffuser	7
This completes the installation.....	7

Foreword

Safety Information

- Always observe the safety instructions for the materials and tools to be used.
- Always wear the appropriate personal protective equipment (gloves, safety goggles etc.).
- We would suggest that any roof works is completed by an experienced roofer.
- Always have any electrical works carried out by a certified electrician.
- Please note that the installation works is carried out at your own risk.

Guarantee

- Non-electrical components are covered by a 10 year manufacturer's warranty against any manufacturing defects.
- Please retain the original proof of purchase to validate the product warranty.
- Any costs associated to the installation of any replacement parts covered under the warranty remain at the expense of the purchaser.
- Our terms and conditions are available upon request.

Disclaimer

Techcomlight Limited expressly disclaims any liability for any unexpected additional expense arising as a result of condensation or any water damage resulting from condensation, installation not in accordance with Techcomlight Limited's installation guide/s or any other external influences beyond the control of Techcomlight Limited. Techcomlight Limited cannot be held liable for damage to structures caused as a result of making openings and installing the product supplied. Techcomlight assumes no responsibility or obligation for the failure of an architect, contractor, installer or building owner to comply with all applicable laws, ordinances, building codes, energy codes, fire and safety codes and requirements, and adequate safety measures.

Installation instructions reserved. No rights can be derived from this publication.

Step 1 - Install the transition box

Option A – Installation into a new ceiling / batten work:

At the correct height, make a wooden batten frame around the desired position of the transition box. Pay attention to the thickness of the ceiling: if the plaster ceiling is thicker than the pre-assembled metal plaster skim beads on the transition box, the battens must be lowered by this difference, and the plasterboards of the ceiling at the level of the transition box must be reduced.

Option B – Installation into an existing ceiling:

Make the correct opening in the ceiling, and also provide an additional opening next to this opening through which the transition box fits and can be installed onto the ceiling. Place the transition box into the recess from above and check whether the pre-assembled metal plaster skim beads protrude from below the ceiling. If this is not the case, modify the ceiling with, for example, a multi-tool around the opening so that the transition box sinks further. Now fit the bottom tube or possibly extension tube/s around both the top tube and the transition box and tape all seams well.

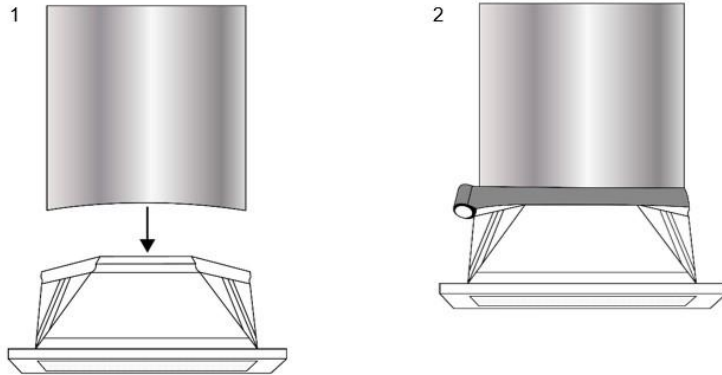
Now proceed to step 3 (step 2 can be skipped).

Option C – Installation of the transition box onto the ceiling by means of a larger opening:

Make an opening in the ceiling that is large enough to fit the transition box through. Please note that this opening must then be reduced in size to accommodate the transition box. Place the transition box on to the ceiling in the opening and check whether the pre-assembled metal plaster skim beads protrude from below the ceiling. If this is not the case, modify the ceiling with, for example, a multi-tool around the opening so that the transition box sinks.

Step 2 – Mount the bottom tube

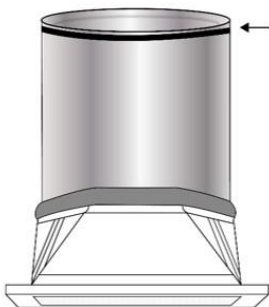
Fit the bottom tube down onto the top of the transition box and tape it into place with the aluminium tape provided as shown below.



ECO version - Fit the insulating lens onto the top of the bottom tube assembly and tape the outer edge of the lens to the outside of the tube with aluminium tape.

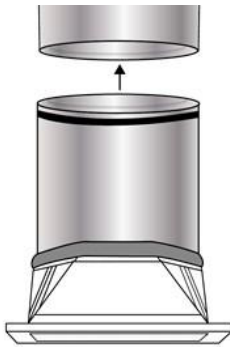
Stick the brush seal strip around the outside of the top of the bottom tube assembly as shown below. Using the entire sealing strip, wrap the strip around the tube keeping the rings tightly together as shown.

Note: If additional extension tubes are being used, this operation must be performed around the top of the uppermost extension tube.



Push the end of the tube with the brush sealing strip applied up through the ceiling opening and up into the top tube assembly. Slide the tube from below through the recess in the ceiling.

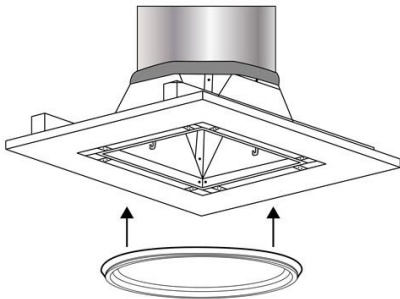
Remember to remove the protective linings from the inside of the tube sections.



Fit and fix the transition box into the ceiling with suitable screws.

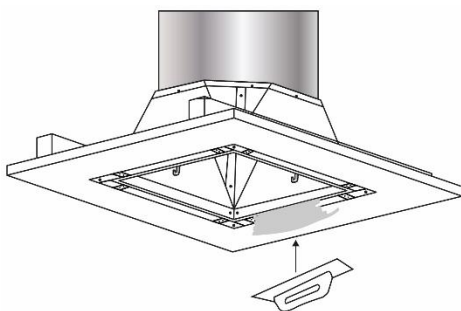
Step 3 – Fit the Natural effect lens

Push the Natural effect lens up into place inside the transition box as shown below.



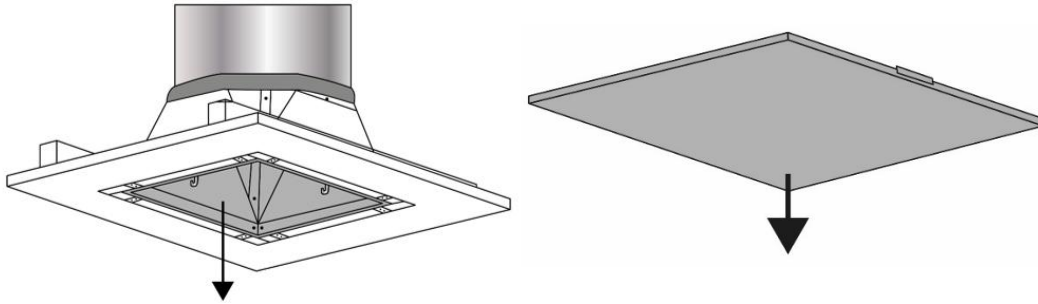
Step 4 – Finish around the transition box

Fit the ceiling boards and/or plaster up to the metal plaster skim beads of the transition box.



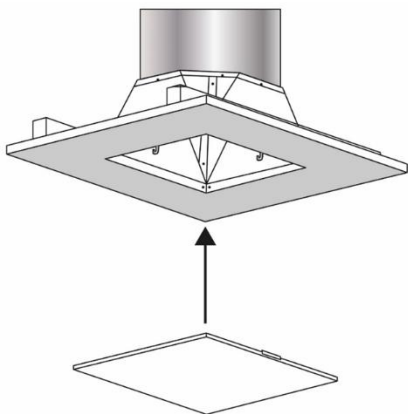
Step 5 – Remove protective film

Remove the protective film from the inside of the transition box and from both sides of the recessed ceiling diffuser.



Step 6 – Fit the ceiling diffuser

When the plaster is dry, the recessed ceiling diffuser should be inserted diagonally up into the bottom of the transition box. Then carefully turn and lower the diffuser into place so that it hangs directly above the square opening.



This completes the installation.