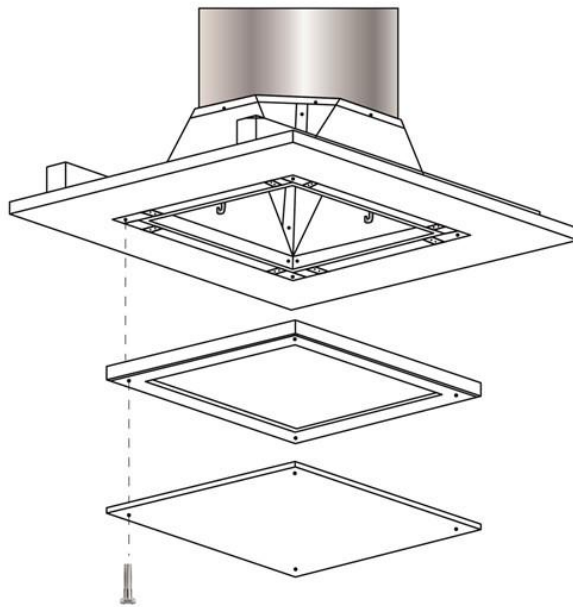


Installation instructions

Internal (ceiling) components 25 cm and 35 cm Ø systems square JustFrost ceiling diffuser



Version: 2023-01

Contents

Foreword	3
Safety.....	Error! Bookmark not defined.
Guarantee.....	Error! Bookmark not defined.
Disclaimer.....	Error! Bookmark not defined.
Step 1 – Mount bottom tube	4
Step 2 – Attach the brush seal	4
Step 3 – Install the bottom tube / transition box	5
Step 4 – Fit the transition box	5
Step 5 – Fit the Natural effect lens	5
Step 6 – Remove protective film from transition box	6
Step 7 - Fit the ceiling diffuser	6
This completes the installation	6

Foreword

Safety Information

- Always observe the safety instructions for the materials and tools to be used.
- Always wear the appropriate personal protective equipment (gloves, safety goggles etc.).
- We would suggest that any roof works is completed by an experienced roofer.
- Always have any electrical works carried out by a certified electrician.
- Please note that the installation works is carried out at your own risk.

Guarantee

- Non-electrical components are covered by a 10 year manufacturer's warranty against any manufacturing defects.
- Please retain the original proof of purchase to validate the product warranty.
- Any costs associated to the installation of any replacement parts covered under the warranty remain at the expense of the purchaser.
- Our terms and conditions are available upon request.

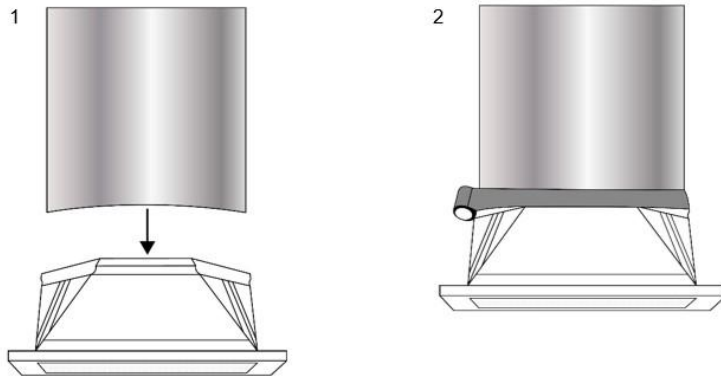
Disclaimer

Techcomlight Limited expressly disclaims any liability for any unexpected additional expense arising as a result of condensation or any water damage resulting from condensation, installation not in accordance with Techcomlight Limited's installation guide/s or any other external influences beyond the control of Techcomlight Limited. Techcomlight Limited cannot be held liable for damage to structures caused as a result of making openings and installing the product supplied. Techcomlight assumes no responsibility or obligation for the failure of an architect, contractor, installer or building owner to comply with all applicable laws, ordinances, building codes, energy codes, fire and safety codes and requirements, and adequate safety measures.

Installation instructions reserved. No rights can be derived from this publication.

Step 1 – Mount bottom tube

Fit the bottom tube down onto the top of the transition box and tape it into place with the aluminium tape provided as shown below.

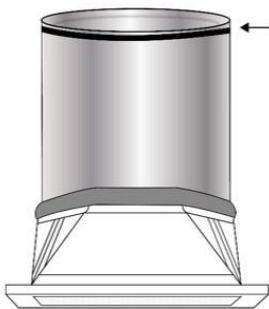


Step 2 – Attach the brush seal

ECO version - Fit the insulating lens onto the top of the bottom tube assembly and tape the outer edge of the lens to the outside of the tube with aluminium tape.

Stick the brush seal strip around the outside of the top of the bottom tube assembly as shown below. Using the entire sealing strip, wrap the strip around the tube keeping the rings tightly together as shown.

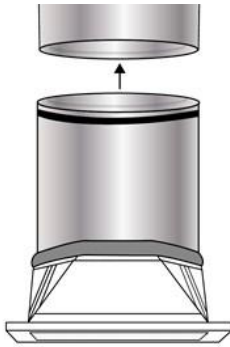
Note: If additional extension tubes are being used, this operation must be performed around the top of the uppermost extension tube.



Step 3 – Install the bottom tube / transition box

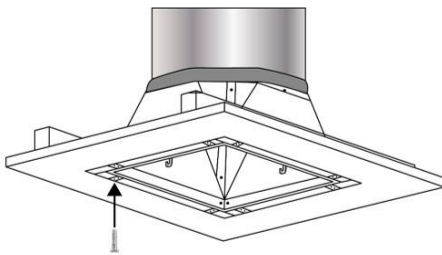
Push the end of the tube with the brush sealing strip applied up through the ceiling opening and up into the top tube assembly. Slide the tube from below through the recess in the ceiling.

Remember to remove the protective linings from the inside of the tube sections.



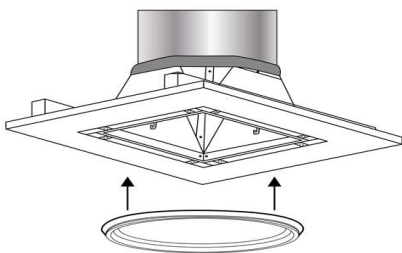
Step 4 – Fit the transition box

Fit and fix the transition box into the ceiling with suitable screws.



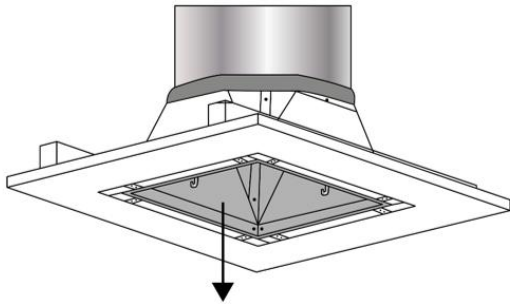
Step 5 – Fit the Natural effect lens

Push the Natural effect lens up into place inside the transition box as shown below.



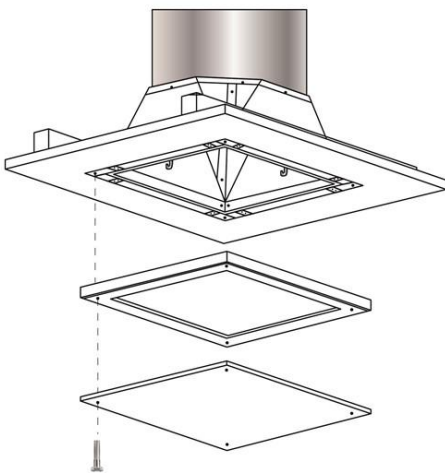
Step 6 – Remove protective film from transition box

Remove the protective film from the inside of the transition box.



Step 7 – Fit the ceiling diffuser

Align the fixing holes in the square ceiling diffuser and white metal frame with those in the ceiling fitting as shown below. Screw the ceiling diffuser and metal frame to the ceiling fitting with the four fixing screws supplied.



This completes the installation.