

Installation instructions

Round ECO flat roof system

Powerdaylight Ø 25 cm part No T8160 17-25

Powerdaylight Ø 35 cm part No T8290115-35



Version: 2023-01

Contents

Foreword	Error! Bookmark not defined.	3
Safety.....	Error! Bookmark not defined.	3
Warranty	Error! Bookmark not defined.	3
Disclaimer.....	Error! Bookmark not defined.	3
Step 1 – Create roof opening.....		44
Step 2 – Fit the flashing insulator		44
Step 3 – Mount the roof flashing.....		44
Step 4 – Install top tube assembly.....		55
Step 5 – Install LightTracker flex		55
Step 6 – Fit the roof domes		66
Step 7 – Fit the insulation lens.....		6
Step 8 – Attach the brush seal		77
Step 9 – Install bottom tube assembly		77
Step 10 – Fit the Natural effect lens		88

Foreword

Safety Information

- Always observe the safety instructions for the materials and tools to be used.
- Always wear the appropriate personal protective equipment (gloves, safety goggles etc.).
- We would suggest that any roof works is completed by an experienced roofer.
- Always have any electrical works carried out by a certified electrician.
- Please note that the installation works is carried out at your own risk.

Guarantee

- Non-electrical components are covered by a 10 year manufacturer's warranty against any manufacturing defects.
- Please retain the original proof of purchase to validate the product warranty.
- Any costs associated to the installation of any replacement parts covered under the warranty remain at the expense of the purchaser.
- Our terms and conditions are available upon request.

Disclaimer

Techcomlight Limited expressly disclaims any liability for any unexpected additional expense arising as a result of condensation or any water damage resulting from condensation, installation not in accordance with Techcomlight Limited's installation guide/s or any other external influences beyond the control of Techcomlight Limited. Techcomlight Limited cannot be held liable for damage to structures caused as a result of making openings and installing the product supplied. Techcomlight assumes no responsibility or obligation for the failure of an architect, contractor, installer or building owner to comply with all applicable laws, ordinances, building codes, energy codes, fire and safety codes and requirements, and adequate safety measures.

Installation instructions reserved. No rights can be derived from this publication.

Step 1 – Create roof opening

Determine where you want to install the Powerdaylight system from the inside and mark the position through the roof.

Note: Consider the roof construction and any electrical wires or pipes which may be hidden within the roof void.

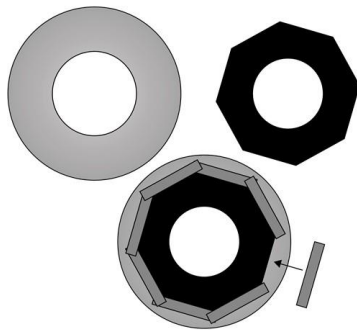
Create a neat, round opening of the appropriate diameter below through the roof and ceiling.

Powerdaylight 25 cm: \varnothing 270 - \varnothing 280 mm / Powerdaylight 35 cm: \varnothing 370 - \varnothing 380 mm

Step 2 – Fit the flashing insulator

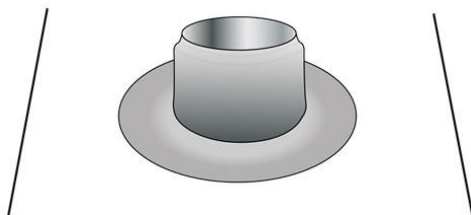
Degrease the underside of the roof flashing. Centre the flashing insulator over the underside of the roof flashing and tape it into position with the aluminium tape provided as shown below.

Note: The flashing insulator is an important part to prevent thermal bridging!



Step 3 – Mount the roof flashing

Centre the roof flashing over the opening created and secure the flashing down with suitable screws (not supplied). Apply the appropriate roofing material over the flange of the flashing, ensuring a watertight seal.

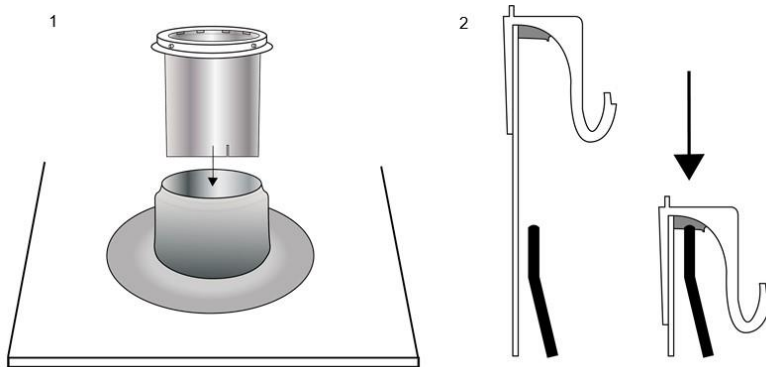


Step 4 – Install top tube assembly

Carefully push the top tube assembly down through the roof flashing and flashing insulator until the transparent dome ring is correctly seated down onto the top of the flashing as shown below.

Note: The insulator is designed to fit tightly around the outside of the tube. You may have to stretch the insulator with your finger tips to allow the tube to fit through.

Note: With the ECO version, the pipe must be completely insulated, we advise to do this with an insulating material such as Alkreflex (not included as standard).

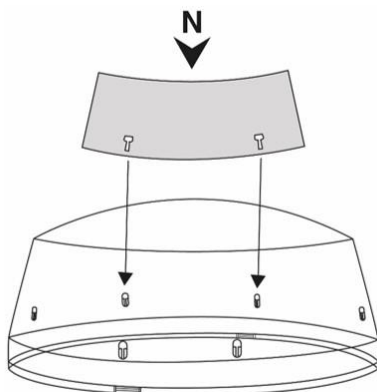


Fix the dome ring onto the top of the flashing with the dome screws, screwed through the four grey spacers from the outside in. The screws will pierce through the flashing and the inside of the reflective tubing. Be careful not to overtighten the screws as this may cause damage to the dome ring.

Now remove the transparent protective film from the inside of the top tube assembly.

Step 5 – Install LightTracker flex

Place the dome upside down on a soft clean surface. Fit the LightTracker flex (this is the mirror insert) with the reflective side facing inwards. Align the holes in the LightTracker over the corresponding tabs inside the dome, then slide the LightTracker downwards to secure it in place.

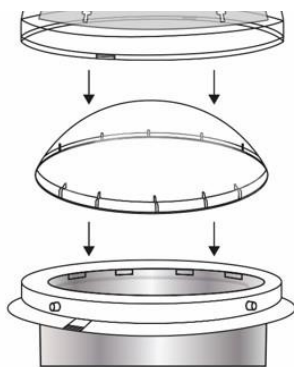


Step 6 – Fit the roof domes

Firstly, align the inner dome onto the dome ring and snap it into place using the four snap closures. Then place the flex roof dome over the inner dome and snap it into place using the four snap closures. Ensure that all four connecting points are properly engaged.

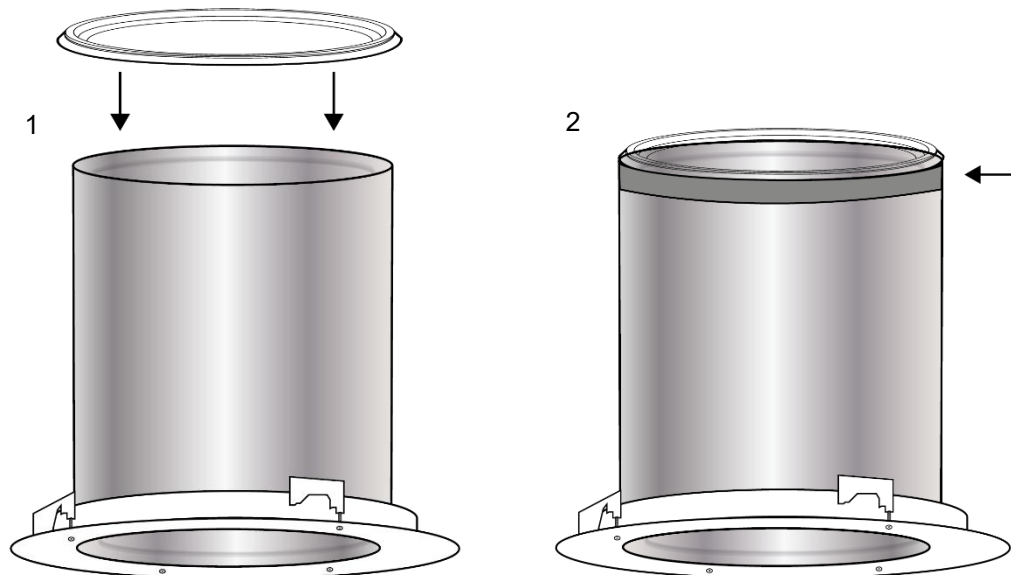
Important: Fit the dome with the LightTracker flex on the north side (reflective side facing south)

Tip: If you want to remove the dome again, insert the end of a wide flat tipped screwdriver into the opening of the snap fasteners and pry it off one by one from below.



Step 7 – Fit the insulation lens

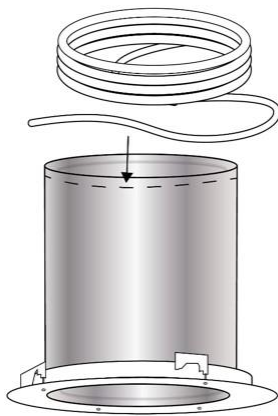
Fit the insulating lens down onto the top of the bottom tube assembly and tape the outer edge of the lens to the outside of the tube with aluminium tape as shown below.



Step 8 – Attach the brush seal

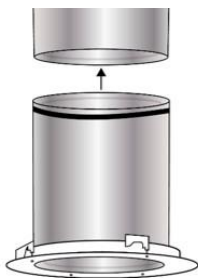
Stick the brush seal strip around the outside of the top of the bottom tube assembly as shown below. Using the entire sealing strip, wrap the strip around the tube keeping the rings tightly together as shown.

Note: If additional extension tubes are being used, this operation must be performed around the top of the uppermost extension tube.



Step 9 – Install bottom tube assembly

Carefully push the bottom tube assembly up through the opening created in the ceiling and up into the inside of the top tube assembly until the ceiling ring is flush with the ceiling.

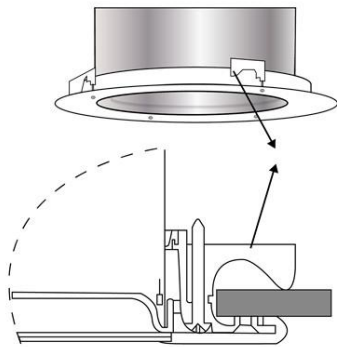


Tip: Make sure that the mounting clips on the ceiling ring are in a 'closed' position so that they fit through the ceiling opening.

Tighten the four fixing screws within the ceiling ring which will engage the mounting clips, tightening them down onto the ceiling to clamp the bottom tube assembly in place.

If the clamps cannot be used (for example with a concrete finish or a double boarded ceiling), or in the event that the ceiling ring does not fit tightly enough, it can be secured with screws through the

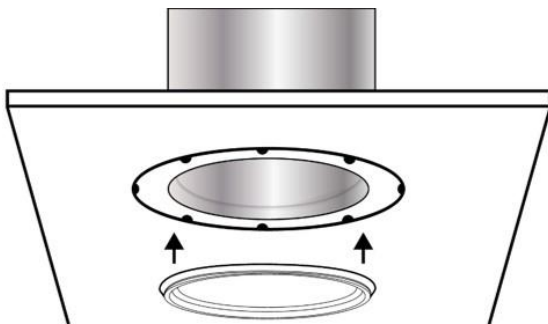
pre-defined fixing points moulded into the ceiling ring. The pre-defined fixing points in the dome ring must be pre-drilled for the screws prior to being fixed in this way.



Now remove the transparent protective film from the inside of the bottom tube assembly.

Step 10 – Fit the Natural effect lens

Press the Natural Effect Lens with the clear plastic tab facing downwards securely into the recess between the reflective tube and the plastic ceiling ring. The Natural effect lens can be removed if required by carefully pulling down on the clear plastic tab.



This completes the installation of your Powerdaylight system.