

# Installation instructions

## Round ECO Ubiflex flashing pitched roof system

*Powerdaylight Ø 25 cm part No T816024-25*

*Powerdaylight Ø 35 cm part No T829022-35*



Version: 2023-01

## Contents

Foreword .....	33
Safety.....	33
Warranty .....	<b>Error! Bookmark not defined.</b> 3
Disclaimer.....	<b>Error! Bookmark not defined.</b> 3
Step 1 – Create openings.....	44
Step 2 – Mount the roof flashing.....	44
Step 3 – Install top tube assembly.....	66
Step 4 – Install LightTracker flex .....	77
Step 5 – Fit the roof dome.....	77
Step 6 - Fit the insulation lens.....	8
Step 7 – Attach the brush seal .....	88
Step 8 – Install the bottom tube assembly .....	99
Step 9 – Fit the natural effect lens.....	1010

## Foreword

### Safety Information

- Always observe the safety instructions for the materials and tools to be used.
- Always wear the appropriate personal protective equipment (gloves, safety goggles etc.).
- We would suggest that any roof works is completed by an experienced roofer.
- Always have any electrical works carried out by a certified electrician.
- Please note that the installation works is carried out at your own risk.

### Guarantee

- Non-electrical components are covered by a 10 year manufacturer's warranty against any manufacturing defects.
- Please retain the original proof of purchase to validate the product warranty.
- Any costs associated to the installation of any replacement parts covered under the warranty remain at the expense of the purchaser.
- Our terms and conditions are available upon request.

### Disclaimer

Techcomlight Limited expressly disclaims any liability for any unexpected additional expense arising as a result of condensation or any water damage resulting from condensation, installation not in accordance with Techcomlight Limited's installation guide/s or any other external influences beyond the control of Techcomlight Limited. Techcomlight Limited cannot be held liable for damage to structures caused as a result of making openings and installing the product supplied. Techcomlight assumes no responsibility or obligation for the failure of an architect, contractor, installer or building owner to comply with all applicable laws, ordinances, building codes, energy codes, fire and safety codes and requirements, and adequate safety measures.

Installation instructions reserved. No rights can be derived from this publication.

## Step 1 – Create openings

Determine where you want to install the Powerdaylight system from the inside and mark the position through the roof.

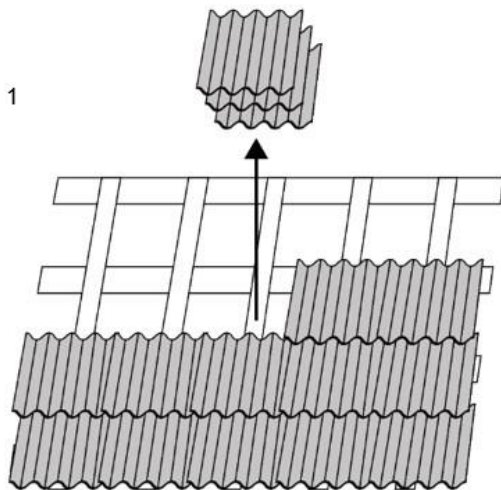
**Note:** Consider the roof construction and any electrical wires or pipes which may be hidden within the roof void.

Create a neat, round opening of the appropriate diameter below through the roof and ceiling.

Powerdaylight 25 cm: Ø 270 - Ø 280 mm / Powerdaylight 35 cm: Ø 370 - Ø 380 mm

## Step 2 – Mount the roof flashing

Remove sufficient tiles from the roof to allow the flashing to fit down onto the tile battens.



Determine the ideal position so that the flashing can be installed beneath the tiles above / to the sides and down onto the tiles below.

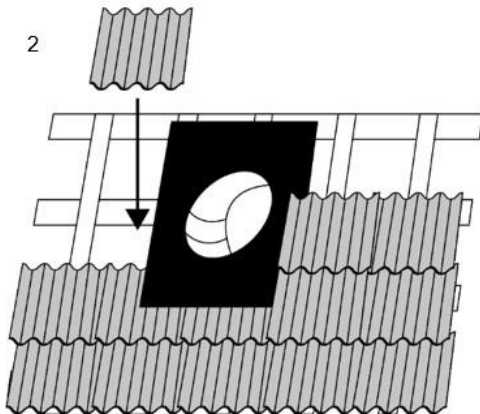
Once the final position is determined, mark and cut any obstructing tile batten to allow the top tube assembly to fit through the flashing down into the roof void.

**Important:** Temporarily insert the top tube assembly down through the flashing to help you to centralise the flashing over the roof aperture created.

**Tip:** The bottom skirt of the Ubiflex flashing is longer than the top.

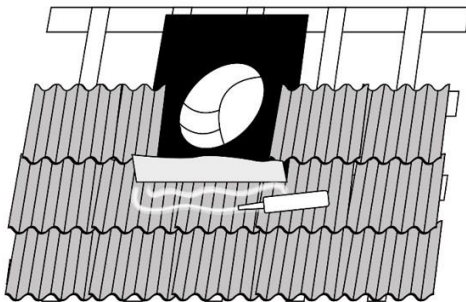
Create a weather stop by folding the sides and top of the flashing upwards by a few centimetres.

Dress the bottom skirt of the flashing down onto the profile of the tiles below.



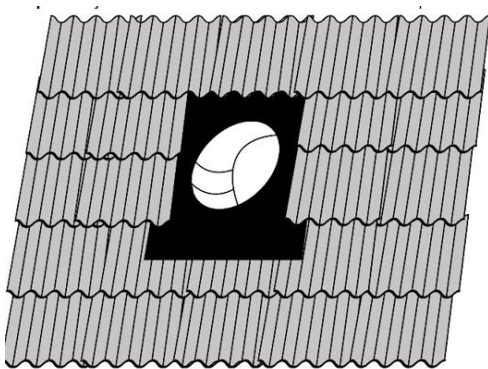
Secure the lower skirt of the flashing down onto the tiles below with the High-tack adhesive / sealant and tile clips provided.

**Tip:** Ensure that the tiles below the flashing skirt are free from dust and debris prior to applying the High-tack adhesive / sealant.

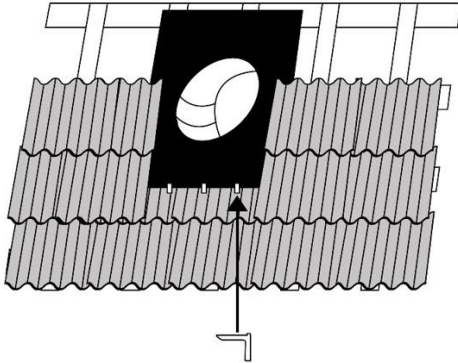


Fit the roof tiles back around the sides and top of the roof flashing.

**Note:** The sides of the flashing must be overlapped by the roof tiles

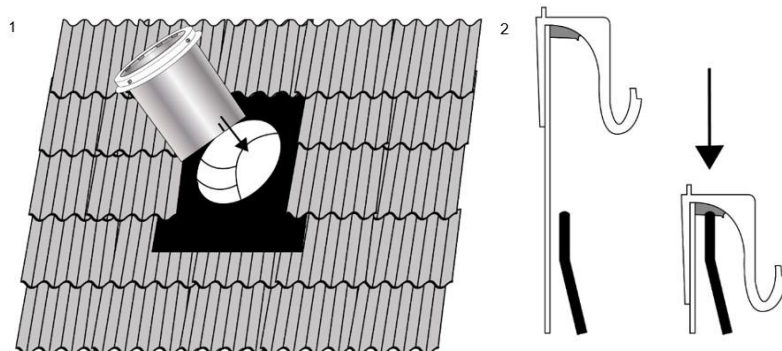


The three tile clips provided are also used to secure the bottom skirt of the flashing down onto the roof. Clamp the "leg" of the clips between two tiles beneath the edge of the flashing and bend the long "leg" back over the edge of the flashing to clamp it in place.



### Step 3 – Install top tube assembly

Carefully insert the top tube assembly down through the roof flashing until the transparent dome ring is correctly seated down onto the top lip of the flashing as shown below.



Fix the dome ring onto the roof flashing using the dome screws provided, screwed through the four grey spacers from the outside in. The screws will pierce through the flashing and the inside of the reflective tubing. Be careful not to overtighten the screws as this may cause damage to the dome ring.

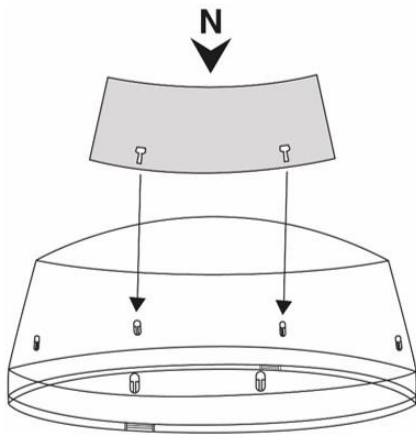
**Note:** With the ECO version, the pipe must be completely insulated, we advise to do this with an insulating material such as Alkreflex (not included as standard).

Now remove the transparent protective film from the inside of the top tube assembly.

## Step 4 – Install LightTracker flex

Place the dome upside down on a soft clean surface. Fit the LightTracker flex (this is the mirrored insert) with the reflective side facing inwards. Align the holes in the LightTracker over the corresponding tabs inside the dome and slide the LightTracker flex downwards to secure it in place.

**Note:** If the sunlight from the south is blocked, do not mount the LightTracker flex in the dome.

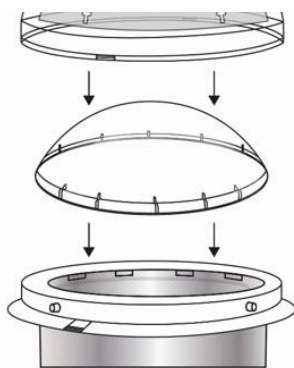


## Step 5 –Fit the roof domes

Firstly, align the inner dome onto the dome ring and snap it into place using the four snap closures. Then place the flex roof dome over the inner dome and snap it into place using the four snap closures. Ensure that all four connecting points are properly engaged.

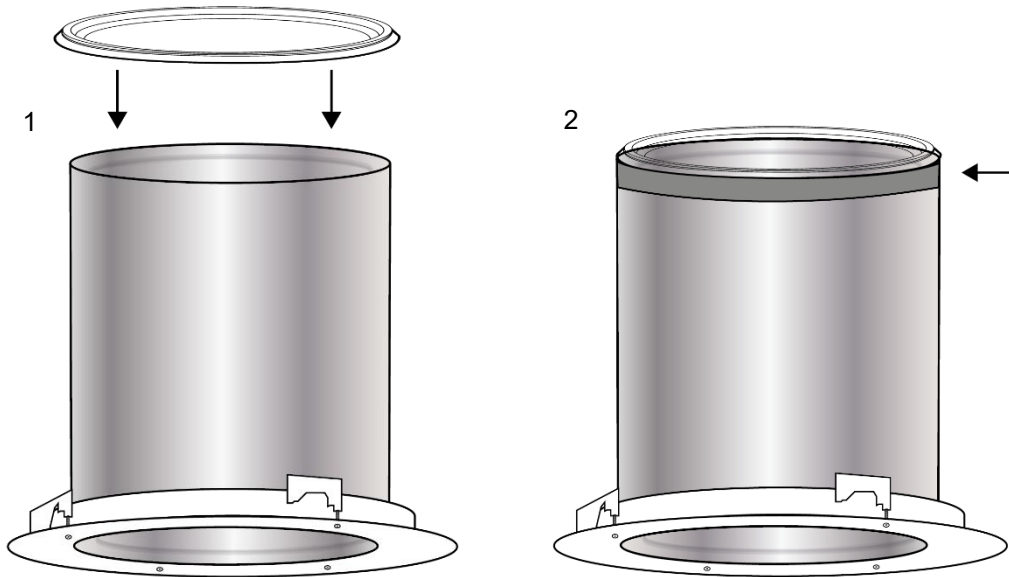
**Important:** Fit the dome with the LightTracker flex on the north side (reflective side facing south)

Tip: If you want to remove the dome again, insert the end of a wide flat tipped screwdriver into the opening of the snap fasteners and pry it off one by one from below.



## Step 6 – Fit the insulation lens

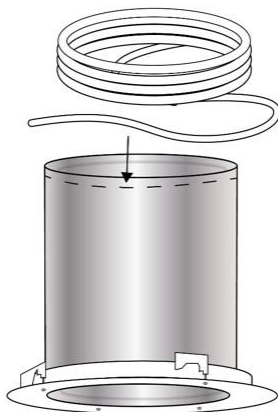
Fit the insulating lens down onto the top of the bottom tube assembly and tape the outer edge of the lens to the outside of the tube with aluminium tape as shown below.



## Step 7 – Attach the brush seal

Stick the brush seal strip around the outside of the bottom tube assembly or uppermost extension tube, just below the top of the tube as shown below. Using the entire sealing strip, wrap the strip around the tube keeping the rings tightly together as shown.

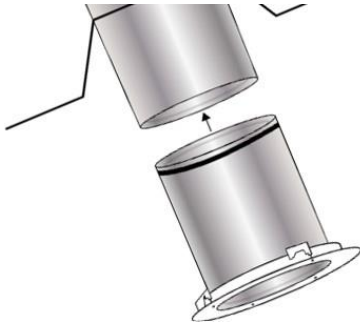
**Note:** if additional extension tubes are being used this operation must be performed around the top of the uppermost extension tube.





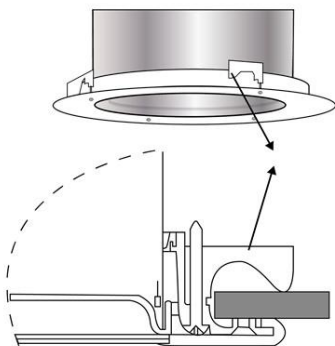
## Step 8 – Install the bottom tube assembly

Carefully push the bottom tube assembly up through the opening created in the ceiling and up into the inside the top tube assembly, until the ceiling ring is flush with the ceiling.



**Tip:** Make sure that the mounting clips on the ceiling ring are in a 'closed' position so that they fit through the ceiling opening.

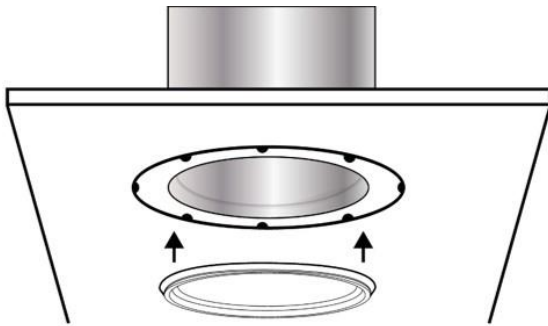
Tighten the four fixing screws within the ceiling ring which will engage the mounting clips, tightening them down onto the ceiling to clamp the bottom tube assembly in place. Alternatively, if the mounting clips cannot be used (for example with a concrete finish or a double boarded ceiling), or if the ceiling ring does not fit tightly enough, it can be fixed with screws through the pre-defined fixing points moulded into the ceiling ring. The pre-defined fixing points in the ceiling ring must be pre-drilled for the screws prior to being fixed in this way.



Now remove the transparent protective foil from the inside of the bottom tube assembly.

## Step 9 – Fit the natural effect lens

Press the Natural Effect Lens with the clear plastic tab facing downwards securely into the recess between the reflective tube and the plastic ceiling ring. The Natural Effect Lens can be easily removed if required by carefully pulling down on the clear plastic tab.



**This completes the installation of your Powerdaylight system.**